



elements series **P2169** acrylic diffuser



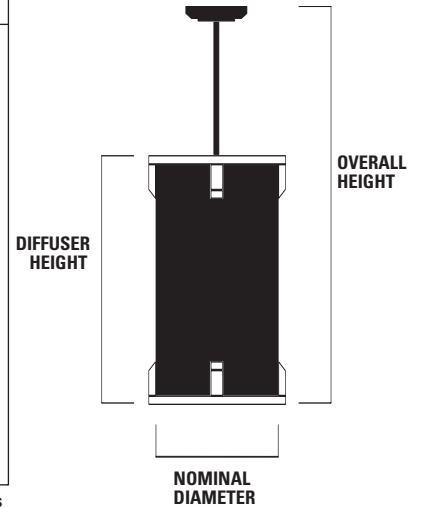
## DIMENSIONS

## LAMPING

| Size | Standard Overall Height* | Diffuser Height | 10" Dia.                             | 12" Dia.  | 16" Dia.  | 20" Dia.   | 24" Dia.   | Special                            |
|------|--------------------------|-----------------|--------------------------------------|---|---|--|--|------------------------------------|
| 1    | 33"                      | 15"             | (4)18BX + Par 30                     | (4)18BX + Par 30<br>(3) A-19 60w Max Incand. + Par 30                               | N/A   | N/A  | N/A  | CONSULT FACTORY<br>Use "SP" Prefix |
| 2    | 42"                      | 18"             | (4)27BX + Par 30                     | (4)27BX + Par 30<br>(6) A-19 60w Max Incand. + Par 30                               | (4,6 or 8)27BX + Par 38<br>(6) A-19 75w Max Incand. + Par 38                            | N/A  | N/A  |                                    |
| 3    | 46"                      | 22"             | (4)39BX + Par 30                     | (4 or 6)39BX + Par 30<br>(6) A-19 60w Max Incand. + Par 30                          | (4,6 or 8)39BX + Par 38<br>(6) A-19 75w Max Incand. + Par 38                            | (4,6 or 8)39BX + Par 38<br>(6) A-19 100w Max Incand. + Par 38                          | N/A  |                                    |
| 4    | 60"                      | 30"             | (4)40BX + Par 30<br>(4)17T8 + Par 30 | (4 or 6)40BX + Par 30<br>(4 or 6)17T8 + Par 30<br>(9) A-19 60w Max Incand. + Par 30 | (4,6 or 8)40BX + Par 38<br>(4,6 or 8)17T8 + Par 38<br>(9) A-19 75w Max Incand. + Par 38 | (4,6 or 8)40BX + Par 38<br>(6 or 8)17T8 + Par 38<br>(9) A-19 100w Max Incand. + Par 38 | (4,6 or 8)40BX + Par 38<br>(6 or 8)17T8 + Par 38<br>(9) A-21 150w Max Incand. + Par 38 |                                    |
| 5    | 72"                      | 42"             | N/A                                  | (4 or 6)25T8 + Par 30<br>(12) A-19 60w Max Incand. + Par 30                         | (4,6 or 8)25T8 + Par 38<br>(12) A-19 75w Max Incand. + Par 38                           | (6,8 or 12)25T8 + Par 38<br>(12) A-19 100w Max Incand. + Par 38                        | (6,8 or 12)25T8 + Par 38<br>(12) A-21 150w Max Incand. + Par 38                        |                                    |
| 6    | 90"                      | 54"             | N/A                                  | N/A   | (4,6 or 8)32T8 + Par 38<br>(15) A-19 75w Max Incand. + Par 38                           | (6,8 or 12)32T8 + Par 38<br>(15) A-19 100w Max Incand. + Par 38                        | (6,8 or 12)32T8 + Par 38<br>(15) A-21 150w Max Incand. + Par 38                        |                                    |

\*Standard Overall Height - Specify Longer or Shorter Lengths as Required.

Note: Par Downlights Not Provided Standard on 277 / 347 Volt Units



## ORDERING KEY

P — 2169 — — — — —

| MOUNTING | MODEL    | DETAIL                 | DIAMETER    | DIFFUSER HT | HANGER         | LAMPING    | OPTIONS                          | VOLTAGE     | OVERALL HT  | FINISH                      |
|----------|----------|------------------------|-------------|-------------|----------------|------------|----------------------------------|-------------|---|-----------------------------|
| P-       | Pendant  | 1- Hardware Top Only   | 10"         | 1- 15"      | S- Single Stem | See Matrix | 0- Standard                      | 1- 120V     | 0- Standard   | PA- Painted (Specify Color) |
| X-       | Special* | 2- Hardware Top/Bottom | 12"         | 2- 18"      | M- Multi-Pipe  |            | SA- Satin Acrylic                | 2- 277V**   | X##- Special Overall Height-Indicate in Inches (ie. x60") | PB- Polished Brass          |
|          |          | X- Special*            | 20"         | 3- 22"      | X- Special*    |            | NDL- No Par Downlight            | 3- 347V**   | A- Will Advise  | PC- Polished Nickel Chrome  |
|          |          |                        | 24"         | 4- 30"      |                |            | TD- Acrylic Top Diffuser** †     | X- Special* |   | SN- Satin Nickel Chrome     |
|          |          |                        | X- Special* | 5- 42"      |                |            | BD- Acrylic Bottom Diffuser**    |             |   | SB- Satin Brass             |
|          |          |                        |             | 6- 54"      |                |            | PD- Perforated Bottom Diffuser** |             |   | AZ- Architectural Bronze    |
|          |          |                        |             | X- Special* |                |            | X- Special*                      |             |   | X- Special*                 |

++ Consult Factory for 277 / 347 Volt Applications Requiring Downlight

\*Consult Factory Prior to Specification.  
 \*\*White Standard Consult Factory for Other.  
 † Not Offered With Incandescent Lamping

## SPECIFICATIONS

### CONSTRUCTION

Diffuser: pure virgin acrylic  
 Hardware: solid brass throughout  
 Internals: white powdercoated C.R.S.

### ELECTRICAL

Incandescent Lamps: medium base porcelain sockets  
 T8 Lamps: medium bi-pin socket  
 Biax Lamps: 2G11 base sockets - electronic ballast(s)

### CERTIFICATION

All units: UL listed dry location  
 Consult factory for damp location and Canadian labeling.

### MOUNTING

Standard: designed for flat horizontal or sloping ceilings using an octagonal J-Box.

### PHOTOMETRICS

Consult technical section for photometric reports.  
 Davis/Muller will gladly run photometric reports for your application at no cost or obligation. Ask your sales representative for details.



**davis muller**  
LIGHTING

28 Beecher Street, Pawtucket, RI 02860  
 Toll Free Specifier Info. Line: (888) DAV-MULL (888-328-6855)  
 Toll Free Specifier Fax Line: (888) DAV-MUL6 (888-328-6856)

These fixture designs are copyright protected. Davis/Muller reserves the right to change fixture design and specifications in any way that will not significantly alter appearance or performance.

©2005 Davis/Muller Lighting