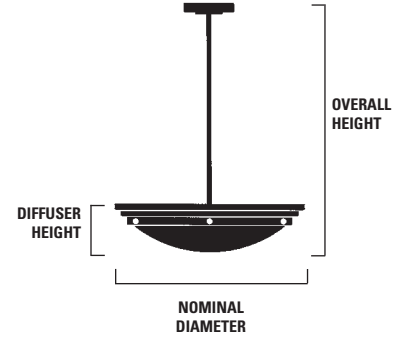




## DIMENSIONS

## LAMPING

Nominal Diameter	Overall Height	Diffuser Height	Quad Tube Compact Fluorescent	Hex Tube Compact Fluorescent	Biaxial Fluorescent	Incandescent	Metal Halide	Special
18"	24"	5"	(2)Q26	(2)H32 (2)H42	N/A	(3)75W INC*	N/A	CONSULT FACTORY Use "SP" Prefix
24"	30"	6"	(4)Q26	(4)H32 (4)H42	(6)BX13 (8)BX13	(4)100W INC*	N/A	
30"	36"	7"	(6)Q26 (8)Q26	(6)H32 (6)H42 (8)H32 (8)H42	(3)BX39 (8)BX13	(6)100W INC*	(1)100W MH (1)175W MH (1)250W MH	
36"	36"	9"	(6)Q26 (8)Q26	(6)H32 (6)H42 (8)H32 (8)H42	(3)BX39 (4)BX39 (6)BX39 (8)BX13	(6)150W INC*	(1)100W MH (1)175W MH (1)250W MH	
48"	48"	12"	(6)Q26 (8)Q26	(6)H32 (6)H42 (8)H32 (8)H42	(6)BX39 (8)BX39	(6)150W INC* (8)150W INC*	(1)175W MH (1)250W MH (1)400W MH (1)1000W MH	



## ORDERING KEY

**P** — 1130

MOUNTING	MODEL	DETAIL	DIAM.	HANGER	LAMPING	OPTIONS	VOLTAGE	OVERALL HEIGHT	FINISH
<b>P</b> -Pendant		<b>0</b> -Sq. Buttons	18"	<b>S</b> -Single Stem	See Matrix	<b>0</b> -Standard	1-120V	<b>0</b> -Standard Height	<b>PA</b> -Painted (specify color - see finish brochure)
<b>X</b> -Special*		<b>1</b> -Rd. Buttons	24"	<b>M</b> -Multi-Pipe		<b>SA</b> -Satin Acrylic	2-277V	<b>X##</b> -Special Overall Height-Indicate in inches † (ie. X 60")	<b>PB</b> -Polished Brass
		<b>X</b> -Special*	30"	<b>B</b> -Bead Chain		<b>BC</b> -Integral Ballast Canopy (HID only. Up to 400W)	3-347V*		<b>PC</b> -Polished Nickel Chrome
			36"	<b>C</b> -Cable (Stainless Steel)		<b>QR</b> -Quartz Restrike (HID only)	<b>X</b> -Special*		<b>SN</b> -Satin Nickel Chrome
			48"	<b>X</b> -Special*		<b>PK1</b> -Pendant Extension Kit †		<b>A</b> -Will Advise	<b>SB</b> -Satin Brass
						<b>SWW</b> -45° Swivel (includes PK1 option †)			<b>DB</b> -Designer Bronze
						<b>BP</b> -Bottom Plate			<b>X</b> -Special*
						<b>TCW</b> -Top Cover** ‡			SEE FINISH BROCHURE FOR OPTIONAL FINISHES
						Translucent White. Fluorescent only.			
						<b>HPFA</b> -Hand Painted Faux Alabaster ‡			
						<b>X</b> -Special*			

\*Consult Factory Prior To Specification.

\*\* Top Cover option is intended to shield direct view of lamp but does not fully seal against dust, bugs and debris.

†PK1 Option required for overall heights greater than standard. Not required for single stem.

‡Will reduce fixture efficiency

## SPECIFICATIONS

### CONSTRUCTION

**Diffuser:** translucent white acrylic

**Hardware:** solid brass throughout

**Internals:** white painted C.R.S.

### ELECTRICAL

**Incandescent Lamps:** medium base porcelain sockets

**Biax Lamps:**

BX13: 4-pin 2GX7 base sockets - electronic ballast(s)

BX39: 4-pin 2G11 base sockets - electronic ballast(s)

**Quad Lamps:** G24q-3 base sockets - electronic ballast(s)

**Hex Lamps:** GX24q base sockets - electronic ballast(s)

**Metal Halide Lamp:**

EX39 Base; Vertical, base up socket.

100W to 250W: BT-28 envelope.

400W: BT-37 envelope. 1000W: BT-56 envelope.

Remote mounted ballast - consult factory for maximum ballast to lamp distance.

### CERTIFICATION

All units: UL and cUL listed dry location

Consult factory for damp location labeling.

### MOUNTING

**Standard:** designed for flat horizontal ceilings using an octagonal J-Box.

**Optional:** max. 45° swivel for sloped ceilings and/or seismic compliance. Mounts to an octagonal J-Box. Requires optional pendant extension kit (PK-1).

### SUSPENSION

**Standard Length:** see dimensional matrix.

**Non-Standard Length:**

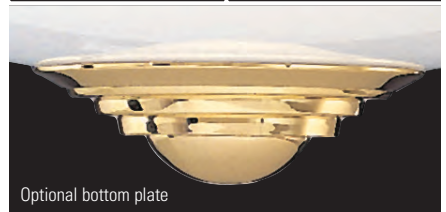
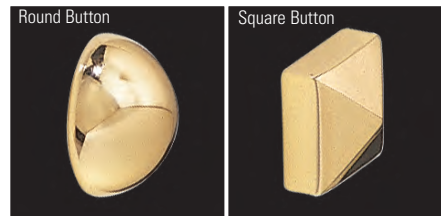
< standard length - consult factory

> standard length - requires optional pendant extension kit. Extra 6" minimum length required.

Stems made in maximum 4 ft. lengths. Longer lengths use couplings as required.

### PHOTOMETRICS

Consult technical section for photometric reports. Davis/Muller will gladly run photometric reports for your application at no cost or obligation. Ask your sales representative for details.



MATCHED COMPANION FIXTURES AVAILABLE. CONSULT CATALOG.

**davis•muller**  
LIGHTING

28 Beecher Street, Pawtucket, RI 02860

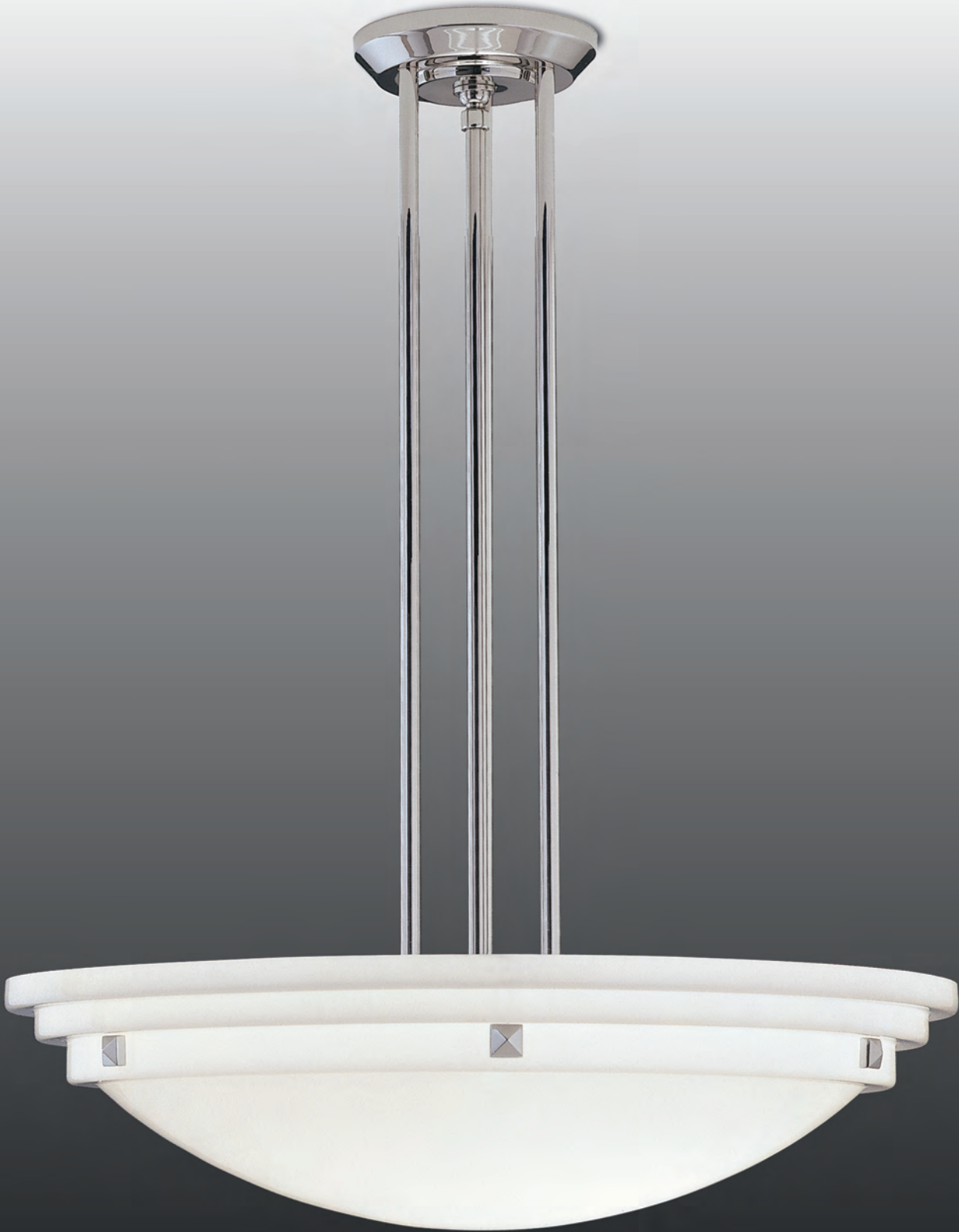
Toll Free Specifier Info. Line: (888) DAV-MULL (888-328-6855)

Toll Free Specifier Fax Line: (888) DAV-MUL6 (888-328-6856)

www.davismuller.com

These fixture designs are copyright protected. Davis/Muller reserves the right to change fixture design and specifications in any way that will not significantly alter appearance or performance.

©1998, 2002, 2010 Davis/Muller Lighting



profile series P1130 acrylic diffuser