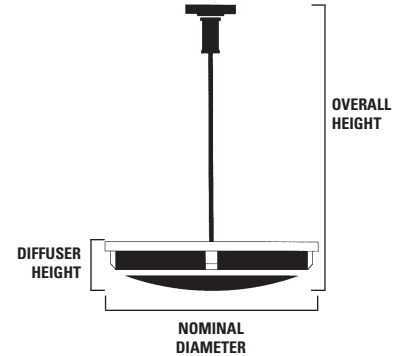




DIMENSIONS

LAMPING

Nominal Diameter	Overall Height	Diffuser Height	Twin Tube Compact Fluorescent	Quad Tube Compact Fluorescent	Biaxial Fluorescent	Incandescent*	Metal Halide	Special
20"	24"	4 3/4"	N/A	(2)Q26	N/A	(3)75W INC*	(1)50W MH (1)70W MH	
26"	30"	5 1/4"	(6)PL13 (8)PL13	(4)Q26	N/A	(4)100W INC*	(1)100W MH (1)175W MH	
32"	36"	6 1/4"	(8)PL13	(4)Q26 (6)Q26 (8)Q26	(3)39BX (4)39BX	(6)100W INC*	(1)100W MH (1)175W MH (1)250W MH (1)400W MH	CONSULT FACTORY Use "SP" Prefix
38"	36"	8"	(8)PL13	(6)Q26 (8)Q26	(3)39BX (4)39BX (6)39BX	(6)150W INC*	(1)100W MH (1)175W MH (1)250W MH (1)400W MH	
50"	48"	10"	Consult Factory	(6)Q26 (8)Q26	(6)39BX (8)39BX	(6)150W INC* (8)150W INC*	(1)175W MH (1)250W MH (1)400W MH	



ORDERING KEY

P — 2160

MOUNTING	MODEL	DETAIL	DIAM.	HANGER	LAMPING	OPTIONS	VOLTAGE	OVERALL HEIGHT	FINISH
P-Pendant		0-Standard	20"	S-Single Stem	See Matrix	0-Standard	1-120V	0-Standard Height	PA-Painted (specify color - see finish brochure)
X-Special*		X-Special*	26"	M-Multi-Pipe		SA-Satin Acrylic	2-277V	X##-Special Overall Height-Indicate in inches † (ie. X 60")	PB-Polished Brass
			32"	B-Bead Chain		BC-Integral Ballast Canopy (HID only)	3-347V*		PC-Polished Nickel Chrome
			38"	C-Cable (Stainless Steel)		QR-Quartz Restrike (HID only)	X-Special*		X-Special*
			50"	X-Special*	X-Special*	PK2-Pendant Extension Kit †		A-Will Advise	SEE FINISH BROCHURE FOR OPTIONAL FINISHES
						SWV-45° Swivel (includes PK2 option)			
						BK-Bottom Knob **			
						TC-Top Cover ‡ (Fluorescent only) (Specify Translucent or Clear)			
						X-Special*			

*Consult Factory Prior to Specification.

†PK2 Option required for overall heights greater than standard. Not required for single stem.

‡ Top cover is not intended to fully seal against dust, bugs and debris.

**Bottom knob required for HID fixtures. Optional for others.

SPECIFICATIONS

CONSTRUCTION

Diffuser: pure virgin acrylic

Hardware: solid brass throughout

Internals: white powdercoated C.R.S.

ELECTRICAL

Incandescent Lamps: medium base porcelain sockets

PL Lamps: GX23 base sockets - HPF magnetic ballasts

Quad Lamps: G24q-3 base sockets - electronic ballast(s)

Biax Lamps: 2G11 base sockets - electronic ballast(s)

Up to 175w M.H. Lamp: medium base/vertical/base-up socket - encased and potted dual-tap ballast (remote mounted)

250-400w M.H. Lamp: mogul base/vertical/base-up socket - encased and potted dual-tap ballast (remote mounted)

CERTIFICATION

All units: UL listed dry location

Consult factory for damp location and Canadian labeling.

MOUNTING

Standard: designed for flat horizontal ceilings using an octagonal J-Box.

Optional: max. 45° swivel for sloped ceilings and/or seismic compliance. Mounts to an octagonal J-Box. Requires optional pendant extension kit (PK-2).

SUSPENSION

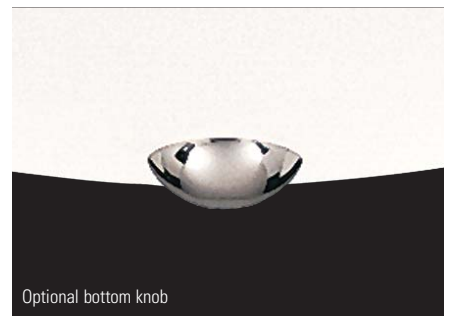
Standard Length: see dimensional matrix.

Non-Standard Length:

< standard length - consult factory
> standard length - requires optional pendant extension kit. Extra 6" minimum length required. Stems made in maximum 4 ft. lengths. Longer lengths use couplings as required.

PHOTOMETRICS

Consult technical section for photometric reports. Davis/Muller will gladly run photometric reports for your application at no cost or obligation. Ask your sales representative for details.



MATCHED COMPANION FIXTURES AVAILABLE. CONSULT CATALOG.

davis muller
LIGHTING

28 Beecher Street, Pawtucket, RI 02860

Toll Free Specifier Info. Line: (888) DAV-MULL (888-328-6855)

Toll Free Specifier Fax Line: (888) DAV-MUL6 (888-328-6856)

These fixture designs are copyright protected. Davis/Muller reserves the right to change fixture design and specifications in any way that will not significantly alter appearance or performance.

©1998, 2002, 2008 Davis/Muller Lighting



elements series **P2160** acrylic diffuser