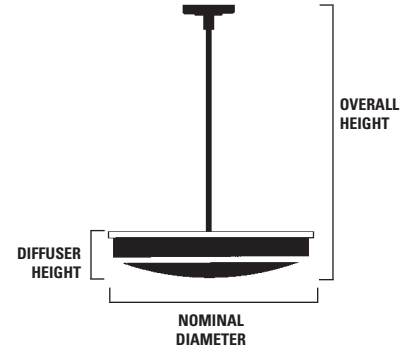




## DIMENSIONS

## LAMPING

Nominal Diameter	Overall Height	Diffuser Height	Quad Tube Compact Fluorescent	Hex Tube Compact Fluorescent	Biaxial Fluorescent	Incandescent	Metal Halide**	Special
20"	24"	4 3/4"	(2)Q26	(2)H32 (2)H42	N/A	(3)75W INC*	N/A	
26"	30"	5 1/4"	(4)Q26	(4)H32 (4)H42	(6)BX13 (8)BX13	(4)100W INC*	N/A	
32"	36"	6 1/4"	(6)Q26 (8)Q26	(6)H32 (6)H42 (8)H32 (8)H42	(3)BX39 (4)BX39 (8)BX13	(6)100W INC*	(1)100W MH (1)175W MH (1)250W MH	CONSULT FACTORY Use "SP" Prefix
38"	36"	8"	(6)Q26 (8)Q26	(6)H32 (6)H42 (8)H32 (8)H42	(3)BX39 (4)BX39 (6)BX39 (8)BX13	(6)150W INC*	(1)100W MH (1)175W MH (1)250W MH	
50"	48"	10"	(6)Q26 (8)Q26	(6)H32 (6)H42 (8)H32 (8)H42	(6)39BX (8)39BX	(6)150W INC* (8)150W INC*	(1)175W MH (1)250W MH (1)400W MH	



## ORDERING KEY

**P** — 2165

MOUNTING MODEL	DETAIL	DIAM.	HANGER	LAMPING	OPTIONS	VOLTAGE	OVERALL HEIGHT	FINISH
P-Pendant	0-Standard	20"	S-Single Stem	See Matrix	0-Standard	1-120V	0-Standard Height	PA-Painted (specify color - see finish brochure)
X-Special*	X-Special*	26"	M-Multi-Pipe		SA-Satin Acrylic	2-277V	X##-Special Overall Height-Indicate in inches † (ie. X 60")	PB-Polished Brass
		32"	B-Bead Chain		BC-Integral Ballast Canopy (HID only)	3-347V*		PC-Polished Nickel Chrome
		38"	C-Cable (Stainless Steel)		QR-Quartz Restrike (HID only)	X-Special*	A-Will Advise	SN-Satin Nickel Chrome
		50"	X-Special*	X-Special*	PK2-Pendant Extension Kit †			SB-Satin Brass
					SWV-45° Swivel (includes PK2 option †)			DB-Designer Bronze
					BP-Bottom Plate			X-Special*
					TCW-Top Cover**‡			SEE FINISH BROCHURE FOR OPTIONAL FINISHES
					Translucent White. Fluorescent only.			
					HPFA-Hand Painted Faux Alabaster ‡			
					X-Special*			

\*Consult Factory Prior To Specification.

\*\* Top Cover option is intended to shield direct view of lamp but does not fully seal against dust, bugs and debris.

†PK2 Option required for overall heights greater than standard. Not required for single stem.

‡Will reduce fixture efficiency

## SPECIFICATIONS

### CONSTRUCTION

**Diffuser:** translucent white acrylic

**Hardware:** solid brass and steel components

**Internals:** white painted C.R.S.

### ELECTRICAL

**Incandescent Lamps:** medium base porcelain sockets

**Biax Lamps:**

BX13: 4-pin 2GX7 base sockets - electronic ballast(s)

BX39: 4-pin 2G11 base sockets - electronic ballast(s)

**Quad Lamps:** G24q-3 base sockets - electronic ballast(s)

**Hex Lamps:** GX24q base sockets - electronic ballast(s)

**Metal Halide Lamp:**

EX39 Base; Vertical, base up socket.

Remote mounted ballast – consult factory

for maximum ballast to lamp distance.

100W to 250W: BT-28 envelope.

400W: BT-37 envelope.

### CERTIFICATION

All units: UL and cUL listed dry location

Consult factory for damp location labeling.

### MOUNTING

**Standard:** designed for flat horizontal ceilings using an octagonal J-Box.

**Optional:** max. 45° swivel for sloped ceilings and/or seismic compliance. Mounts to an octagonal J-Box. Requires optional pendant extension kit (PK-2).

### SUSPENSION

**Standard Length:** see dimensional matrix.

**Non-Standard Length:**

< standard length - consult factory

> standard length - requires optional pendant extension kit. Extra 6" minimum length required.

Stems made in maximum 4 ft. lengths. Longer lengths use couplings as required.

### PHOTOMETRICS

Consult technical section for photometric reports.

Davis/Muller will gladly run photometric reports for your application at no cost or obligation. Ask your sales representative for details.



MATCHED COMPANION FIXTURES AVAILABLE. CONSULT CATALOG.

**davis/muller**  
LIGHTING

28 Beecher Street, Pawtucket, RI 02860

Toll Free Specifier Info. Line: (888) DAV-MULL (888-328-6855)

Toll Free Specifier Fax Line: (888) DAV-MUL6 (888-328-6856)

www.davismuller.com

These fixture designs are copyright protected. Davis/Muller reserves the right to change fixture design and specifications in any way that will not significantly alter appearance or performance.

©1998, 2002, 2010 Davis/Muller Lighting



elements series P2165 acrylic diffuser