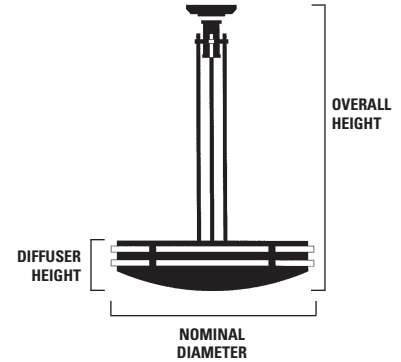




**DIMENSIONS**

**LAMPING**

Nominal Diameter	Overall Height	Diffuser Height	Twin Tube Compact Fluorescent	Quad Tube Compact Fluorescent	Biaxial Fluorescent	Incandescent*	Metal Halide	Special
20"	24"	4 3/4"	N/A	(2)Q26	N/A	(3)75W INC*	(1)50W MH (1)70W MH	
26"	30"	5 1/4"	(6)PL13 (8)PL13	(4)Q26	N/A	(4)100W INC*	(1)100W MH (1)175W MH	
32"	36"	6 1/4"	(8)PL13	(4)Q26 (6)Q26 (8)Q26	(3)39BX (4)39BX	(6)100W INC*	(1)100W MH (1)175W MH	
38"	36"	8"	(8)PL13	(6)Q26 (8)Q26	(3)39BX (4)39BX (6)39BX	(6)150W INC*	(1)100W MH (1)175W MH (1)250W MH (1)400W MH	CONSULT FACTORY Use "SP" Prefix
50"	48"	10"	Consult Factory	(6)Q26 (8)Q26	(6)39BX (8)39BX	(6)150W INC* (8)150W INC*	(1)175W MH (1)250W MH (1)400W MH	



**ORDERING KEY**

**P** — **3110**

MOUNTING	MODEL	DETAIL	DIAM.	HANGER	LAMPING	OPTIONS	VOLTAGE	OVERALL HEIGHT	FINISH
P-Pendant		0-Standard	20"	S-Single Stem	See Matrix	0-Standard	1-120V	0-Standard Height	PA-Painted (specify color - see finish brochure)
X-Special*		X-Special*	26"	M-Multi-Pipe		SA-Satin Acrylic	2-277V	X##-Special Overall Height-Indicate in inches † (ie. X 60")	PB-Polished Brass
			32"	B-Bead Chain		BC-Integral Ballast Canopy (HID only)	3-347V*		PC-Polished Nickel Chrome
			38"	C-Cable (Stainless Steel)		QR-Quartz Restrike (HID only)	X-Special*		SN-Satin Nickel Chrome
			50"	X-Special*	X-Special*	PK3-Pendant Extension Kit †		A-Will Advise	SB-Satin Brass
						SWV-45° Swivel (includes PK3 option)			CB-Two-Tone Chrome & Brass
						BP- Bottom Plate **			X-Special *
						TC-Top Cover‡ (Flourescent only) (Specify Translucent or Clear)			SEE FINISH BROCHURE FOR OPTIONAL FINISHES
						X-Special *			

\*Consult Factory Prior to Specification.  
 †PK3 Option required for overall heights greater than standard.  
 ‡ Not required for single stem.  
 † Top cover is not intended to fully seal against dust, bugs and debris.  
 \*\*Bottom knob required for HID fixtures. Optional for others.

**SPECIFICATIONS**

**CONSTRUCTION**

Diffuser: pure virgin acrylic  
 Hardware: solid brass throughout  
 Internals: white powdercoated C.R.S.

**ELECTRICAL**

Incandescent Lamps: medium base porcelain sockets  
 PL Lamps: GX23 base sockets - HPF magnetic ballasts  
 Quad Lamps: G24q-3 base sockets - electronic ballast(s)  
 Biax Lamps: 2G11 base sockets - electronic ballast(s)  
 Up to 175w M.H. Lamp: medium base/vertical/ base-up socket – encased and potted dual-tap ballast (remote mounted)  
 250-400w M.H. Lamp: mogul base/vertical/base-up socket – encased and potted dual-tap ballast (remote mounted)

**CERTIFICATION**

All units: UL listed dry location  
 Consult factory for damp location and Canadian labeling.

**MOUNTING**

Standard: designed for flat horizontal ceilings using an octagonal J-Box.  
 Optional: max. 45° swivel for sloped ceilings and/or seismic compliance. Mounts to an octagonal J-Box. Requires optional pendant extension kit (PK-3).

**SUSPENSION**

Standard Length: see dimensional matrix.  
 Non-Standard Length:  
 < standard length - consult factory  
 > standard length - requires optional pendant extension kit. Extra 6" minimum length required.  
 Stems made in maximum 4 ft. lengths. Longer lengths use couplings as required.

**PHOTOMETRICS**

Consult technical section for photometric reports. Davis/Muller will gladly run photometric reports for your application at no cost or obligation. Ask your sales representative for details.



Optional bottom plate

**MATCHED COMPANION FIXTURES AVAILABLE. CONSULT CATALOG.**



28 Beecher Street, Pawtucket, RI 02860  
 Toll Free Specifier Info. Line: (888) DAV-MULL (888-328-6855)  
 Toll Free Specifier Fax Line: (888) DAV-MUL6 (888-328-6856)

These fixture designs are copyright protected. Davis/Muller reserves the right to change fixture design and specifications in any way that will not significantly alter appearance or performance.



*signature series* P3110 *acrylic diffuser*