



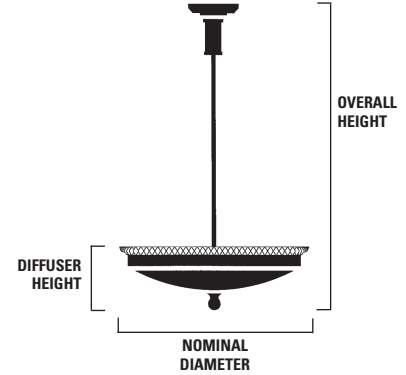
DIMENSIONS

LAMPING

Nominal Diameter	Overall Height	Diffuser Height**	Quad Tube Compact Fluorescent	Biaxial Fluorescent	Incandescent*	Metal Halide	Special
16"	24"	7"	N/A	N/A	(2)75W INC*	CONSULT FACTORY	CONSULT FACTORY Use "SP" Prefix
22"	30"	8"	(2)Q26	N/A	(3)75W INC*		
30"	36"	9 1/2"	(4)Q26	(6)BX13 (8)BX13	(4)100W INC*		
42"	36"	13"	(6)Q26 (8)Q26	(3)39BX (4)39BX (8)BX13	(6)100W INC*		
54"	48"	16"	(6)Q26 (8)Q26	(3)39BX (4)39BX (6)39BX	(6)150W INC*		

**Height shown includes height of ring, diffuser and ball finial.

*Lower wattage incandescent lamps may be substituted.



ORDERING KEY

P — 3160

MOUNTING	MODEL	DETAIL	DIAM.	HANGER	LAMPING	OPTIONS	VOLTAGE	OVERALL HEIGHT	FINISH
P-Pendant		1-Button Finial	16"	S-Single Stem	See Matrix	0-Standard	1-120V	0-Standard Height	PA-Painted (specify color - see finish brochure)
X-Special*		2-Ball Finial	22"	B-Bead Chain		SA-Satin Acrylic	2-277V	X##-Special Overall Height-Indicate in inches † (ie. X 60")	PB-Polished Brass
		X-Special*	30"	C-Cable		PK3-Pendant Extension Kit †	3-347V*		PC-Polished Nickel Chrome
			42"	M-Multi-Pipe		SWV-45° Swivel (includes PK3 option)	X-Special*	A-Will Advise	SN-Satin Nickel Chrome
			54"	X-Special*		TC-Top Cover (Fluorescent only) (Specify Translucent or Clear)			SB-Satin Brass
		X-Special*				X-Special *			BU- Burnished Brass
									X-Special *

*Consult Factory Prior To Specification.

†PK3 Option required for overall heights greater than standard. Not required for single stem.

SPECIFICATIONS

CONSTRUCTION

Diffuser: pure virgin acrylic
Hardware: solid brass throughout
Internals: white powdercoated C.R.S.

ELECTRICAL

Incandescent Lamps: medium base porcelain sockets
Quad Lamps: G24q-3 base sockets - electronic ballast(s)
Biax Lamps:
BX13: 4-pin 2GX7 base sockets - electronic ballast(s)
BX39: 2G11 base sockets - electronic ballast(s)

CERTIFICATION

All units: UL listed dry location
 Consult factory for damp location and Canadian labeling.

MOUNTING

Standard: designed for flat horizontal ceilings using an octagonal J-Box.
Optional: max. 45° swivel for sloped ceilings and/or seismic compliance. Mounts to an octagonal J-Box. Requires optional pendant extension kit (PK-3).

SUSPENSION

Standard Length: see dimensional matrix.
Non-Standard Length:
 < standard length - consult factory
 > standard length - requires optional pendant extension kit. Extra 6" minimum length required.
 Stems made in maximum 4 ft. lengths. Longer lengths use couplings as required.

PHOTOMETRICS

Consult technical section for photometric reports. Davis/Muller will gladly run photometric reports for your application at no cost or obligation. Ask your sales representative for details.



MATCHED COMPANION FIXTURES AVAILABLE. CONSULT CATALOG.



28 Beecher Street, Pawtucket, RI 02860
 Toll Free Specifier Info. Line: (888) DAV-MULL (888-328-6855)
 Toll Free Specifier Fax Line: (888) DAV-MUL6 (888-328-6856)

These fixture designs are copyright protected. Davis/Muller reserves the right to change fixture design and specifications in any way that will not significantly alter appearance or performance.

©1998, 2002, 2009 Davis/Muller Lighting



signature series P3160 *acrylic diffuser*