

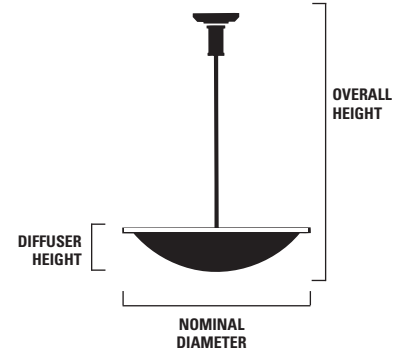


**DIMENSIONS**

**LAMPING**

Nominal Diameter	Overall Height	Diffuser Height	Twin Tube Compact Fluorescent	Quad Tube Compact Fluorescent	Biaxial Fluorescent	Incandescent*	Special
20"	30"	5 1/4"	N/A	(2)Q26	N/A	(3)60W INC*	CONSULT FACTORY Use "SP" Prefix
24"	30"	7"	(6)PL13 (8)PL13	(4)Q26	N/A	(4)100W INC*	
30"	36"	8"	(8)PL13	(4)Q26 (6)Q26 (8)Q26	(3)39BX	(6)100W INC*	

\*Lower wattage incandescent lamps may be substituted.



**ORDERING KEY**

**P** — 7410

MOUNTING	MODEL	DETAIL	DIAM.	HANGER	LAMPING	OPTIONS	VOLTAGE	OVERALL HEIGHT	FINISH
P-Pendant		0-Standard	20"	S-Single Stem	See Matrix	0-Standard	1-120V	0-Standard Height	PA-Painted (specify color - see finish brochure)
X-Special*			24"	M-Multi-Pipe		PK2-Pendant Extension Kit †	2-277V	X##-Special Overall Height-Indicate in inches † (ie. X 60")	PB-Polished Brass
			30"	B-Bead Chain		SWV-45° Swivel (includes PK2 option)	3-347V*		PC-Polished Nickel Chrome
			X-Special*	C-Cable (Stainless Steel)		TC-Top Cover‡ (Fluorescent only) (Specify Translucent or Clear)	X-Special*	A-Will Advise	X-Special*
				X-Special*		BP-Bottom Plate*			SEE FINISH BROCHURE FOR OPTIONAL FINISHES
						X-Special*			

\*Consult Factory Prior to Specification.

†PK2 Option required for overall heights greater than standard.

‡ Not required for single stem.

‡ Top cover is not intended to fully seal against dust, bugs and debris.

**SPECIFICATIONS**

**CONSTRUCTION**

Diffuser: cast acid-etched glass  
 Hardware: solid brass throughout  
 Internals: white powdercoated C.R.S.

**ELECTRICAL**

Incandescent Lamps: medium base porcelain sockets  
 PL Lamps: GX23 base sockets - HPF magnetic ballasts  
 Quad Lamps: G24q-3 base sockets - electronic ballast(s)  
 Biax Lamps: 2G11 base sockets - electronic ballast(s)

**CERTIFICATION**

All units: UL listed dry location  
 Consult factory for damp location and Canadian labeling.

**MOUNTING**

Standard: designed for flat horizontal ceilings using an octagonal J-Box.

Optional: max. 45° swivel for sloped ceilings and/or seismic compliance. Mounts to an octagonal J-Box. Requires optional pendant extension kit (PK2).

**SUSPENSION**

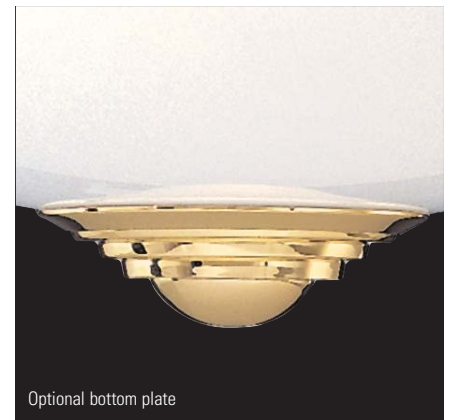
Standard Length: see dimensional matrix.

**Non-Standard Length:**

< standard length - consult factory  
 > standard length - requires optional pendant extension kit. Extra 6" minimum length required.  
 Stems made in maximum 4 ft. lengths. Longer lengths use couplings as required.

**PHOTOMETRICS**

Consult technical section for photometric reports. Davis/Muller will gladly run photometric reports for your application at no cost or obligation. Ask your sales representative for details.



Optional bottom plate

**MATCHED COMPANION FIXTURES AVAILABLE. CONSULT CATALOG.**



28 Beecher Street, Pawtucket, RI 02860  
 Toll Free Specifier Info. Line: (888) DAV-MULL (888-328-6855)  
 Toll Free Specifier Fax Line: (888) DAV-MUL6 (888-328-6856)  
 www.davismuller.com

These fixture designs are copyright protected. Davis/Muller reserves the right to change fixture design and specifications in any way that will not significantly alter appearance or performance.

©1999, 2002, 2008 Davis/Muller Lighting



elements series P7410 glass diffuser