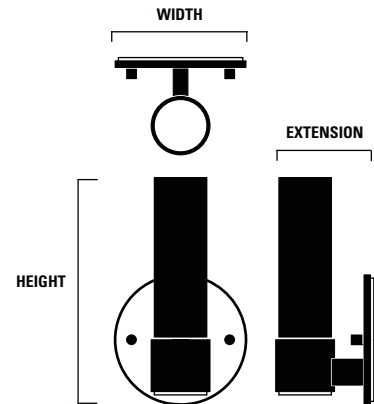




DIMENSIONS			LAMPING		
Width	Height	Extension	Quad Tube Compact Fluorescent	Incandescent*	Special
5"	8 3/4"	3 3/4" ADA**	(1)Q26 (1)Q18	(1)60W T10* *Lower wattage incandescent lamps may be substituted.	CONSULT FACTORY Use "SP" Prefix



****Complies with maximum 4" extension requirements of the Americans with Disabilities Act.**

ORDERING KEY

MOUNTING	MODEL	DETAIL	LAMPING	OPTIONS	VOLTAGE	FINISH
S -Sconce X -Special*	4410	0 -Standard X -Special	See Matrix	0 -Standard X -Special*	1 -120V 2 -277V 3 -347V* X -Special*	PA -Painted (specify color) PB -Polished Brass PC -Polished Nickel Chrome SN -Satin Nickel Chrome SB -Satin Brass X -Special* SEE FINISH BROCHURE FOR OPTIONAL FINISHES

**Consult Factory Prior To Specification.*

SPECIFICATIONS

CONSTRUCTION

Diffuser: cast glass
Hardware: die cast zinc alloy
Internals: white powdercoated C.R.S.

ELECTRICAL

Incandescent Lamps: medium base porcelain sockets
Quad Lamps: G24q base sockets - electronic ballast(s)

CERTIFICATION

All units: UL listed dry location
Consult factory for damp location and Canadian labeling.

MOUNTING

Designed for flat wall surfaces using an octagonal J-Box.

PHOTOMETRICS

Consult technical section for photometric reports.
Davis/Muller will gladly run photometric reports for your application at no cost or obligation. Ask your sales representative for details.



MATCHED COMPANION FIXTURES AVAILABLE. CONSULT CATALOG.

davis muller
LIGHTING

28 Beecher Street, Pawtucket, RI 02860
Toll Free Specifier Info. Line: (888) DAV-MULL (888-328-6855)
Toll Free Specifier Fax Line: (888) DAV-MUL6 (888-328-6856)
www.davismuller.com

These fixture designs are copyright protected. Davis/Muller reserves the right to change fixture design and specifications in any way that will not significantly alter appearance or performance.

©2004, 2009 Davis/Muller Lighting



profile series S4410 glass diffuser