



SIZE 1



SIZE 2



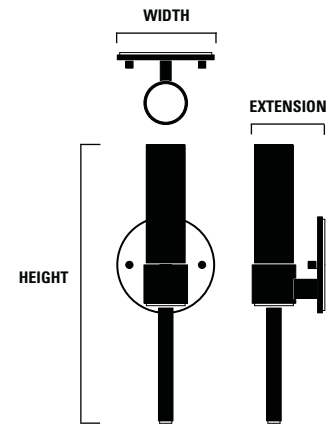
SIZE 3

**DIMENSIONS**

**LAMPING**

Size	Width	Height	Extension	Quad Tube Compact Fluorescent	Incandescent*	Special
<b>1</b>	5"	9 1/4"	3 3/4" <b>ADA**</b>	(1)Q26 (1)Q18	(1)60W T10*	CONSULT FACTORY
<b>2</b>	5"	11 1/2"	3 3/4" <b>ADA**</b>	(1)Q26 (1)Q18	(1)60W T10*	Use"SP"Prefix
<b>3</b>	5"	14 1/2"	3 3/4" <b>ADA**</b>	(1)Q26 (1)Q18	(1)60W T10*	Use"SP"Prefix

\*Lower wattage incandescent lamps may be substituted.



**\*\*Complies with maximum 4" extension requirements of the Americans with Disabilities Act.**

**ORDERING KEY**

**S** — **5410** — — — — —

MOUNTING	MODEL	SIZE	DETAIL	LAMPING	OPTIONS	VOLTAGE	FINISH
<b>S</b> -Sconce		1-5" x 9 1/4"	<b>O</b> -Standard	See Matrix	<b>O</b> -Standard	1-120V	<b>PA</b> -Painted (specify color)
<b>X</b> -Special*		2-5" x 11 1/2"	<b>X</b> -Special*		<b>X</b> -Special*	2-277V	<b>PB</b> -Polished Brass
		3-5" x 14 1/2"				3-347V*	<b>PC</b> -Polished Nickel Chrome
		<b>X</b> -Special*				<b>X</b> -Special*	<b>SN</b> -Satin Nickel Chrome
							<b>SB</b> -Satin Brass
							<b>X</b> -Special*
							SEE FINISH BROCHURE FOR OPTIONAL FINISHES

\*Consult Factory Prior To Specification.

**SPECIFICATIONS**

**CONSTRUCTION**

*Diffuser:* cast glass

*Hardware:* die cast zinc alloy and solid brass

*Internals:* white powdercoated C.R.S.

**ELECTRICAL**

*Incandescent Lamps:* medium base porcelain sockets

*Quad Lamps:* G24q base sockets - electronic ballast(s)

**CERTIFICATION**

*All units:* UL listed dry location

Consult factory for damp location and Canadian labeling.

**MOUNTING**

Designed for flat wall surfaces using an octagonal J-Box.

**PHOTOMETRICS**

Consult technical section for photometric reports.

Davis/Muller will gladly run photometric reports for your application at no cost or obligation. Ask your sales representative for details.



**MATCHED COMPANION FIXTURES AVAILABLE. CONSULT CATALOG.**



28 Beecher Street, Pawtucket, RI 02860

Toll Free Specifier Info. Line: (888) DAV-MULL (888-328-6855)

Toll Free Specifier Fax Line: (888) DAV-MUL6 (888-328-6856)

www.davismuller.com

These fixture designs are copyright protected. Davis/Muller reserves the right to change fixture design and specifications in any way that will not significantly alter appearance or performance.

©2004, 2009 Davis/Muller Lighting



elements series S5410 glass diffuser